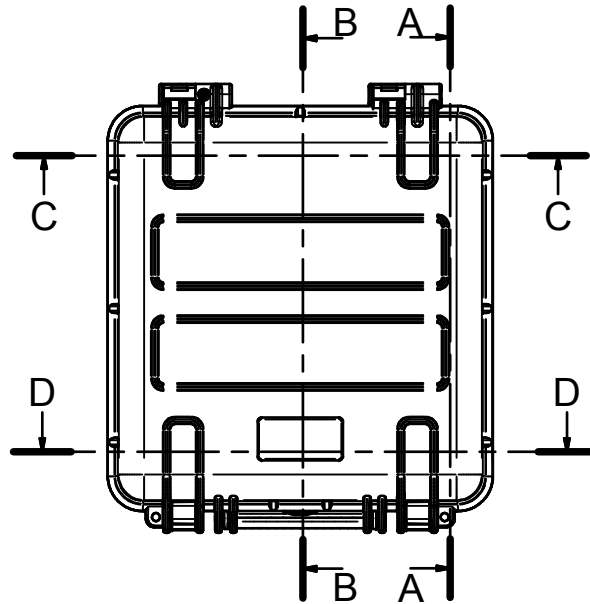
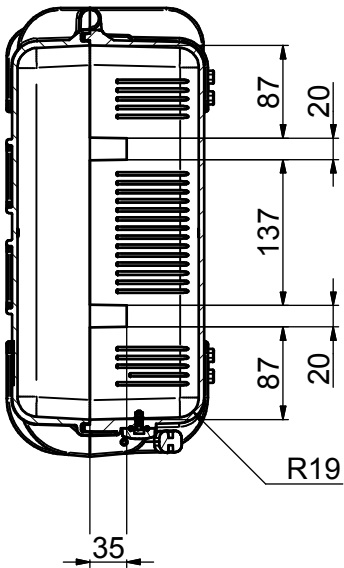
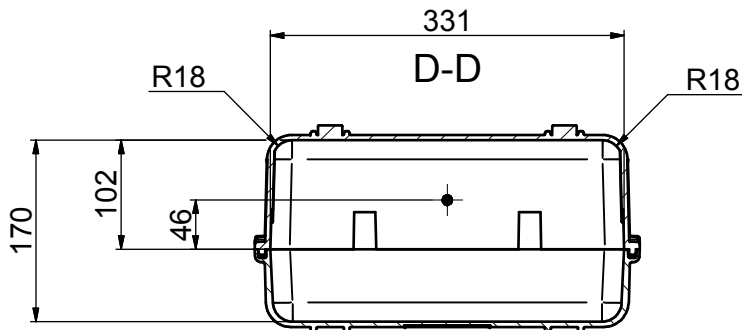
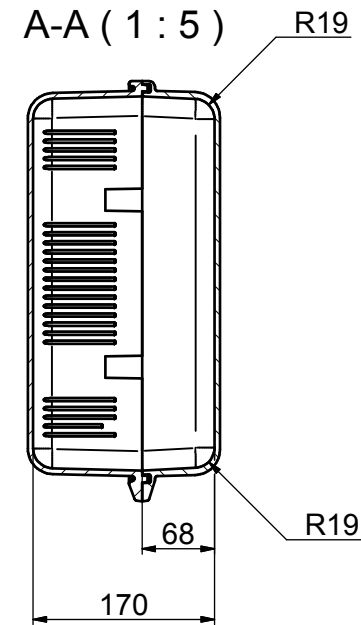


B-B (1:5)



A-A (1:5)



**EXPLORER CASES**  
 Internal dimension-general tolerance +/-1.5%  
 GT Line - TechDept - All rights reserved

Note		Scale	Size	General Clearance
<b>ALL DIMENSIONS IN mm</b>			<b>A3</b>	
Material		Treatment		Color
Designer	Date	Check	Date	Replace by
	<b>23/05/2012</b>			
Description		Date		
		File Name	Revision	
		<b>3317W</b>		